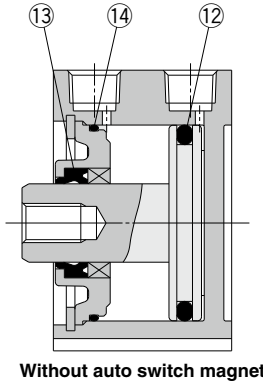


# CQ2/CQ2Y/CQ2X Series

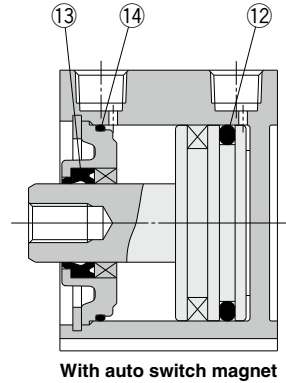
ø12, ø16, ø20  
ø25, ø32, ø40  
ø50, ø63  
ø80, ø100

The Replacement Procedure is on p. 387

## Construction



Without auto switch magnet



With auto switch magnet

\* The figures above show the construction of the CQ2 series.  
The numbers correspond with those in the "Construction" of the CQ2 series in the **Web Catalog**.

### Seal Kit List

No.	Description	Material	Note
⑫	Piston seal	NBR	
⑬	Rod seal		
⑭	Gasket		

### Replacement Parts: Seal Kit

Bore size (mm)	Part no.	Contents
----------------	----------	----------

#### Pneumatic type

12	CQ2B12-PS	Set of nos. ⑫, ⑬, ⑭
16	CQ2B16-PS	
20	CQ2B20-PS	
25	CQ2B25-PS	
32	CQ2B32-PS	
40	CQ2B40-PS	
50	CQ2B50-PS	
63	CQ2B63-PS	
80	CQ2B80-PS	
100	CQ2B100-PS	

#### Air-hydro type

20	CQ2BH20-PS	Set of nos. ⑫, ⑬, ⑭
25	CQ2BH25-PS	
32	CQ2BH32-PS	
40	CQ2BH40-PS	
50	CQ2BH50-PS	
63	CQ2BH63-PS	
80	CQ2BH80-PS	
100	CQ2BH100-PS	

\* The seal kit includes ⑫, ⑬, and ⑭. Order the seal kit based on each bore size.

\* Since the seal kit does not include a grease pack, it should be ordered separately.

**Grease pack part no.:** GR-S-010 (10 g)

### Replacement Parts: Seal Kit

Bore size (mm)	Part no.	Contents
<b>Smooth cylinder</b>		
32	CQ2Y32-PS	Set of nos. ⑫, ⑬, ⑭, and a grease pack (10 g)
40	CQ2Y40-PS	
50	CQ2Y50-PS	
63	CQ2Y63-PS	
80	CQ2Y80-PS	
100	CQ2Y100-PS	

#### Low speed cylinder

32	CQ2X32-PS	Set of nos. ⑫, ⑬, ⑭, and a grease pack (10 g)
40	CQ2X40-PS	
50	CQ2X50-PS	
63	CQ2X63-PS	
80	CQ2X80-PS	
100	CQ2X100-PS	

\* The seal kit includes ⑫, ⑬, and ⑭. Order the seal kit based on each bore size.

\* The seal kit includes a grease pack (10 g).  
Order with one of the following part numbers when only the grease pack is required.

**Grease pack part no.:** GR-L-005 (5 g), GR-L-010 (10 g)

Actuators

Rotary Actuators  
Air Grippers

Modular F.R.L.  
Pressure Control Equipment

Air Preparation  
Equipment

Industrial  
Filters

Replacement  
Procedure

Actuators

Rotary Actuators  
Air Grippers

Modular F.R.L.  
Pressure Control Equipment

Air Preparation  
Equipment  
Industrial Filters

# Compact Cylinder/Standard Type: Single Acting, Single Rod

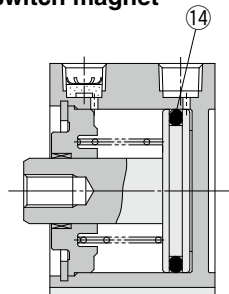
# CQ2 Series

∅12, ∅16, ∅20, ∅25  
∅32, ∅40, ∅50

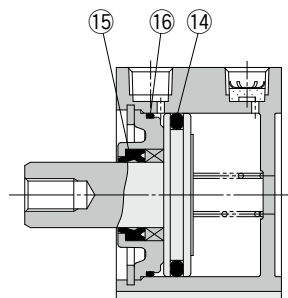
The Replacement Procedure is on p. 387

## Construction

### Without auto switch magnet

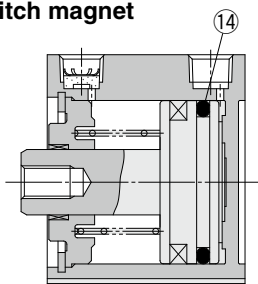


Spring return



Spring extend

### With auto switch magnet



\* The numbers correspond with those in the "Construction" of the CQ2 series in the **Web Catalog**.

### Seal Kit List

No.	Description	Material	Note
⑭	Piston seal	NBR	
⑮	Rod seal		
⑯	Gasket		

### Replacement Parts: Seal Kit

Bore size (mm)	Part no.	Contents
<b>Single acting, spring return</b>		
12	CQ2B12-S-PS	No. ⑭
16	CQ2B16-S-PS	
20	CQ2B20-S-PS	
25	CQ2B25-S-PS	
32	CQ2B32-S-PS	
40	CQ2B40-S-PS	
50	CQ2B50-S-PS	
<b>Single acting, spring extend</b>		
12	CQ2B12-T-PS	Set of nos. ⑭, ⑮, ⑯
16	CQ2B16-T-PS	
20	CQ2B20-T-PS	
25	CQ2B25-T-PS	
32	CQ2B32-T-PS	
40	CQ2B40-T-PS	
50	CQ2B50-T-PS	

\* Since the seal kit does not include a grease pack, it should be ordered separately.

Grease pack part no.: GR-S-010 (10 g)

Actuators

Rotary Actuators  
Air Grippers

Modular F.R.L.  
Pressure Control Equipment

Air Preparation  
Equipment

Industrial Filters

Replacement  
Procedure

Actuators

Rotary Actuators  
Air Grippers

Modular F.R.L.  
Pressure Control Equipment

Air Preparation Equipment  
Industrial Filters

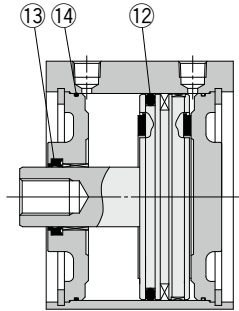
# CQ2 Series

∅125, ∅140, ∅160  
∅180, ∅200



## Construction

### Standard



\* The numbers correspond with those in the "Construction" of the CQ2 series in the **Web Catalog**.

### Seal Kit List

No.	Description	Material	Note
⑫	Piston seal	NBR	
⑬	Rod seal		
⑭	Tube gasket		

### Replacement Parts: Seal Kit

Bore size (mm)	Part no.	Contents
125	CQ2B125-PS	Set of nos. ⑫, ⑬, ⑭
140	CQ2B140-PS	
160	CQ2B160-PS	
180	CQ2B180-PS	
200	CQ2B200-PS	

\* The seal kit includes ⑫, ⑬, ⑭. Order the seal kit based on each bore size.

\* Since the seal kit does not include a grease pack, it should be ordered separately.

**Grease pack part no.: GR-S-010 (10 g)**

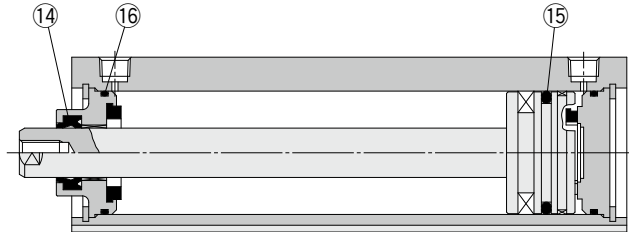
# CQ2 Series

ø32, ø40, ø50  
ø63, ø80, ø100



## Construction

### Standard



\* The numbers correspond with those in the "Construction" of the CQ2 series in the **Web Catalog**.

### Seal Kit List

No.	Description	Material	Note
⑭	Rod seal	NBR	
⑮	Piston seal		
⑯	Tube gasket		

### Replacement Parts: Seal Kit

Bore size (mm)	Part no.	Contents
32	CQ2A32-L-PS	Set of nos. ⑭, ⑮, ⑯
40	CQ2A40-L-PS	
50	CQ2A50-L-PS	
63	CQ2A63-L-PS	
80	CQ2A80-L-PS	
100	CQ2A100-L-PS	

\* The seal kit includes ⑭, ⑮, ⑯. Order the seal kit based on each bore size.

\* Since the seal kit does not include a grease pack, it should be ordered separately.

**Grease pack part no.:** GR-S-010 (10 g)

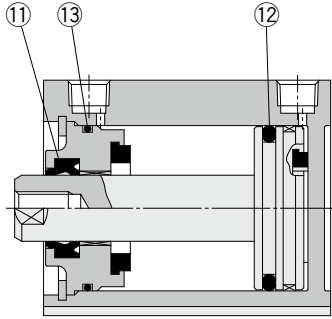
# CQ2 Series

ø32, ø40, ø50  
ø63, ø80, ø100

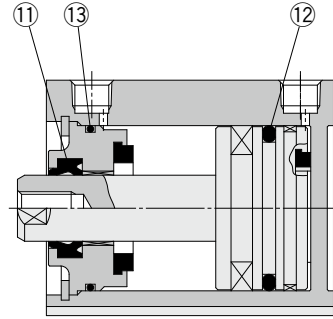


## Construction

### Standard



Without auto switch magnet



With auto switch magnet

\* The numbers correspond with those in the "Construction" of the CQ2 series in the **Web Catalog**.

### Seal Kit List

No.	Description	Material	Note
①	Rod seal	NBR	
②	Piston seal		
③	Tube gasket		

### Replacement Parts: Seal Kit

Bore size (mm)	Part no.	Contents
32	CQ2B32-PS	Set of nos. ①, ②, ③
40	CQ2B40-PS	
50	CQ2B50-PS	
63	CQ2B63-PS	
80	CQ2B80-PS	
100	CQ2B100-PS	

\* The seal kit includes ①, ②, ③. Order the seal kit based on each bore size.

\* Since the seal kit does not include a grease pack, it should be ordered separately.

**Grease pack part no.: GR-S-010 (10 g)**

Actuators

Rotary Actuators  
Air Grippers

Modular F.R.L.  
Pressure Control Equipment

Air Preparation  
Equipment

Industrial Filters

Replacement  
Procedure

Actuators

Rotary Actuators  
Air Grippers

Modular F.R.L.  
Pressure Control Equipment

Air Preparation Equipment  
Industrial Filters