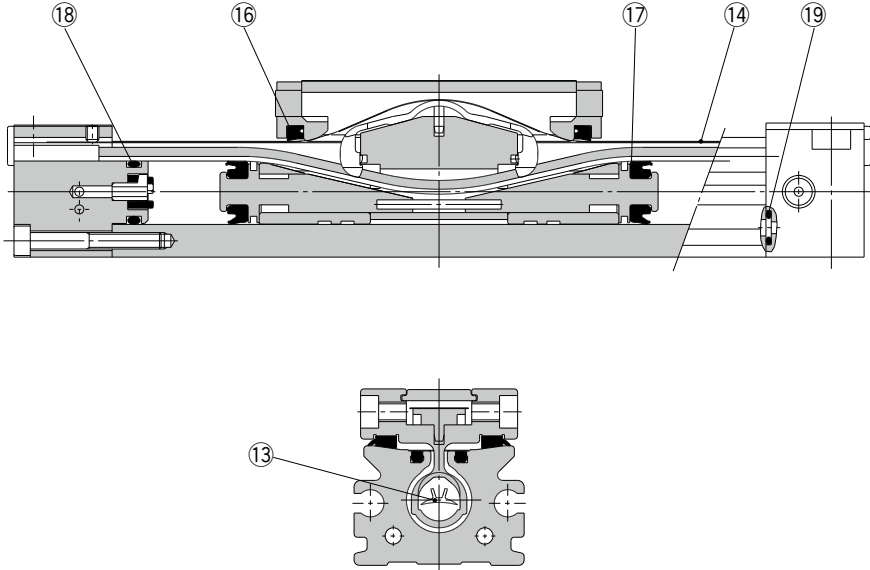


# MY1B Series $\phi 10$



## Construction

Centralized piping type:  $\phi 10$



\* The numbers correspond with those in the "Construction" of the MY1B series in the **Web Catalog**.

### Replacement Parts: Seal Kit

No.	Description	Qty.	MY1B10	Note
13	Seal belt	1	MY10-16A- <del>Stroke</del>	13 and 14 are not included in the seal kit. Order them as required with the individual part numbers provided.
14	Dust seal band	1	MY10-16B- <del>Stroke</del>	
16	Scraper	2	MY1B10-PS	
17	Piston seal	2		
18	Tube gasket	2		
19	O-ring	4		

\* The seal kit includes 16, 17, 18, and 19.

The seal kit includes a grease pack (10 g).

When 13 and 14 are shipped independently, a grease pack is included.

(10 g per 1000 strokes)

Order with one of the following part numbers when only the grease pack is required.

**Grease pack part no.:** GR-S-010 (10 g), GR-S-020 (20 g)

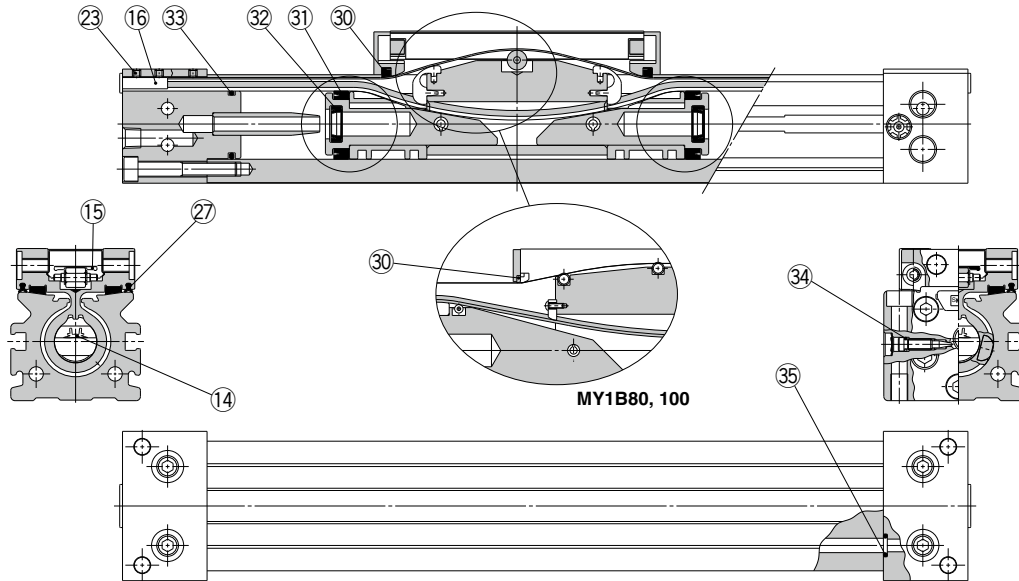
# MY1B Series

ø16, ø20, ø50  
ø63, ø80, ø100

The Replacement Procedure is on p. 403

## Construction

ø16 to ø100



\* The numbers correspond with those in the "Construction" of the MY1B series in the Web Catalog.

### Replacement Parts: Seal Kit

No.	Description	Qty.	MY1B16	MY1B20	MY1B50	MY1B63
14	Seal belt	1	MY16-16C-Stroke	MY20-16C-Stroke	MY50-16C-Stroke	MY63-16A-Stroke
15	Dust seal band	1	MY16-16B-Stroke	MY20-16B-Stroke	MY50-16B-Stroke	MY63-16B-Stroke
16	Belt clamp	2	—	—	—	—
27	Side scraper	2	—	MYB20-15CA7164B	MYB50-15CA7165B	MYB63-15CA7166B
34	O-ring	2	KA00309 (ø4 x ø1.8 x ø1.1)	KA00309 (ø4 x ø1.8 x ø1.1)	KA00402 (ø8.3 x ø4.5 x ø1.9)	KA00777 —
30	Scraper	2	—	—	—	—
31	Piston seal	2	—	—	—	—
32	Cushion seal	2	MY1B16-PS	MY1B20-PS	MY1B50-PS	MY1B63-PS
33	Tube gasket	2	—	—	—	—
35	O-ring	4	—	—	—	—

No.	Description	Qty.	MY1B80	MY1B100	Note
14	Seal belt	1	MY80-16A-Stroke	MY100-16A-Stroke	14, 15, 16, 27, and 34 are not included in the seal kit. Order them as required with the individual part numbers provided.
15	Dust seal band	1	MY80-16B-Stroke	MY100-16B-Stroke	
16	Belt clamp	1	—	—	
27	Side scraper	2	MYB80-15CK2470B	MY100-15CK2471B	
34	O-ring	2	KA00050 —	KA00050 —	
30	Scraper	2	—	—	
31	Piston seal	2	—	—	
32	Cushion seal	2	MY1B80-PS	MY1B100-PS	
33	Tube gasket	2	—	—	
35	O-ring	4	—	—	

\* The seal kit includes 30, 31, 32, 33, and 35. Order the seal kit based on each bore size.

\* The seal kit includes a grease pack (10 g).

When 14 and 15 are shipped independently, a grease pack is included. (10 g per 1000 strokes)

Order with one of the following part numbers when only the grease pack is required.

Grease pack part no.: GR-S-010 (10 g), GR-S-020 (20 g)

Note) Two kinds of dust seal bands are available. Since the part number varies depending on the treatment of the hexagon socket head set screw 23, confirm before ordering.

A: Black zinc chromated → MY□□-16B-stroke, B: Nickel plated → MY□□-16BW-stroke

Actuators  
Rotary Actuators  
Air Grippers  
Modular F.R.L.  
Pressure Control Equipment  
Air Preparation  
Equipment  
Industrial Filters  
Replacement  
Procedure  
Actuators  
Rotary Actuators  
Air Grippers  
Modular F.R.L.  
Pressure Control Equipment  
Air Preparation  
Equipment  
Industrial Filters