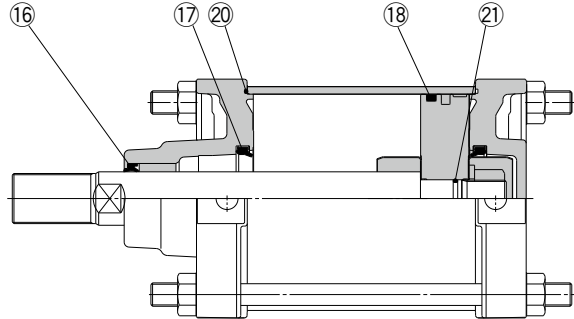
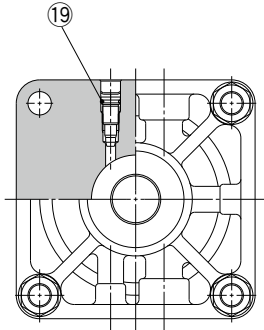


# Smooth Cylinder CS2Y Series

ø125, ø140, ø160



## Construction



\* The numbers correspond with those in the "Construction" of the CS2Y series in the **Web Catalog**.

### Seal Kit List

| No. | Description    | Material | Note   |
|-----|----------------|----------|--|
| 16  | Rod seal       | NBR      | 19 and 21 are non-replaceable parts, so they are not included in the seal kit. |
| 17  | Cushion seal * | Urethane |  |
| 18  | Piston seal    | NBR      |  |
| 19  | Valve seal     | NBR      |  |
| 20  | Tube gasket    | NBR      |  |
| 21  | Piston gasket  | NBR      |  |

\* Used with cushion only

### Replacement Parts: Seal Kit

| Bore size (mm) | Part no.     | Contents                               |
|----------------|--------------|--|
| 125            | CS2Y125A-PS  | For models without cushion             |
| 140            | CS2Y140A-PS  | Set of nos.                            |
| 160            | CS2Y160A-PS  | 16, 18, 20                             |
| 125            | CS2Y125AA-PS | For models with cushion on both sides  |
| 140            | CS2Y140AA-PS | Set of nos.                            |
| 160            | CS2Y160AA-PS | 16, 17 (two), 18, 20                   |
| 125            | CS2Y125AR-PS | For models with cushion on single side |
| 140            | CS2Y140AR-PS | Set of nos.                            |
| 160            | CS2Y160AR-PS | 16, 17 (one), 18, 20                   |

\* The seal kit does not include a grease pack.

Order with one of the following part numbers when only the grease pack is required.

**Grease pack part no.:** GR-L-005 (5 g), GR-L-010 (10 g), GR-L-150 (150 g)