

Air Suction Filter With One-touch Fittings **ZFB Series**

RoHS

Prevents vacuum equipment trouble
due to solid foreign objects

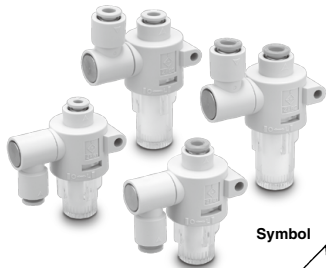
Unrestricted 360° piping tube
mounting on the IN side

Easily replaced filter element

Easy installation and removal
with One-touch fittings

Light and compact molded resin parts

Cartridge type allows element
replacement



Symbol



Model

Tubing size	Model	Port size (Applicable tubing O.D.)	Recommended air flow (L/min (ANR)) ⁽¹⁾	Weight (g)	Internal capacity (cm ³)
		IN side, OUT side			
Metric size	ZFB100-04	ø4	10	22	7
	ZFB100-06	ø6	20	22	7
	ZFB200-06	ø6	30	30	12
	ZFB200-08	ø8	50	30	12
	ZFB300-08	ø8	75	39	16
ZFB300-10	ø10	75	39	16	
Inch size ⁽²⁾	ZFB101-05	ø 3/16"	20	22	7
	ZFB101-07	ø 1/4"	20	22	7
	ZFB201-07	ø 1/4"	30	30	12
	ZFB301-11	ø 3/8"	75	40	16
	ZFB401-13	ø 1/2"	100	62	19

Note 1) Flow rate when initial pressure drop is 3 kPa or less.

Note 2) Will be manufactured upon receipt of order.

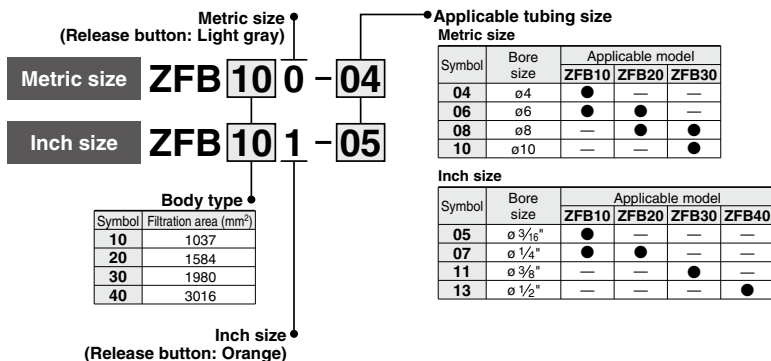
Specifications

Fluid ^{Note 1)}	Air, Nitrogen
Operating pressure range ^{Note 2)}	-100 to 0 kPa
Vacuum release pressure	Max. 0.5 MPa (Unable to hold when pressurized)
Operating and ambient temperature range	0 to 60°C (No freezing)
Filtration accuracy	30 μm (Filtration efficiency 95%)
Element replacement differential pressure	20 kPa
Applicable tubing material	Nylon/Soft Nylon/Polyurethane

Note 1) Do not use the product in an atmosphere and place where there is direct contact with chemicals. It may cause damage to the body. (Alcohol, acetone, etc. also cause damage, so be sure for the product not to be close to them.)

Note 2) Do not use it in a line that is kept pressurized because it could cause the body to break.

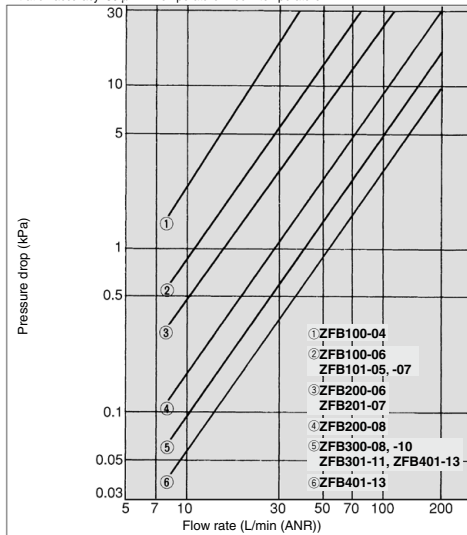
How to Order



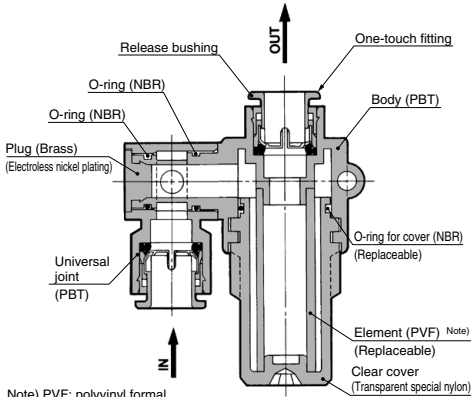
ZFB Series

Flow Rate Characteristics

Fluid: Air Measured pressure: Downstream side atmospheric release (pressurized)
 Filtration accuracy: 30 μm Temperature: Room temperature



Construction

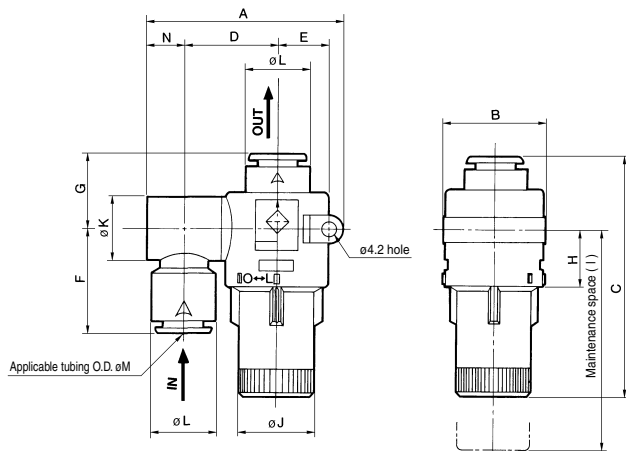


Replacement Element Part No.

Part no.	Applicable filter model	Element size mm	Set description	
			Element	O-ring for cover
I-34S-A	ZFB100, ZFB101	ø10 x ø6 x L33	10 pcs.	10 pcs.
I-35S-A	ZFB200, ZFB201	ø12 x ø8 x L42	10 pcs.	10 pcs.
I-36S-A	ZFB300, ZFB301	ø14 x ø10 x L45	10 pcs.	10 pcs.
I-39S-A	ZFB401	ø16 x ø14 x L60	10 pcs.	10 pcs.

Note) Elements and O-rings for the cover are sold in sets of 10 pieces each.

Dimensions



Size	Model	A	B	C	D	E	F	G	H	I	J	K	L	M	N
Metric size	ZFB100-04	48	26	53	22.5	12.5	24	17.5	15	50	15.5	14.4	12.8	4	8.5
	ZFB100-06			54										6	
	ZFB200-06	52	28	65	24.5	13.5	27	19.5	16	61	17.5	16.6	15.2	6	9.5
	ZFB200-08													8	
	ZFB300-08	57	30	69.5	27	14.5	29.5	21	17	65	21.5	18	18.5	8	11
ZFB300-10			70										10		
Inch size	ZFB101-05	48	26	53	22.5	12.5	24	17.5	15	50	15.5	14.4	12.8	3/16"	8.5
	ZFB101-07			54			24.2	17.7						1/4"	
	ZFB201-07	52	28	65	24.5	13.5	27.2	19.7	16	61	17.5	16.6	15.2	1/4"	9.5
	ZFB301-11	57	30	70	27	14.5	30.2	21.7	17	65	21.5	18	18.5	3/8"	11
	ZFB401-13	64.5	34	87.5	30.5	16.5	34	24	21.5	81	25.6	23	21.7	1/2"	13.5

Element Replacement

1. Stop the operation and reduce the internal pressure of the filter to atmospheric pressure.
2. Turn the transparent cover in counterclockwise direction and position the arrowhead of the collar in the transparent cover from the protruding in the "L" (LOCK) side to the protruding portion in the "O" (OPEN) side.
3. Pull the transparent cover downward to take out the element. Eliminate any dust in the transparent cover by blowing air. (Make sure there is no damage of the O-ring.)
4. Insert a new element into the body.
5. Set the arrowhead on the collar of the transparent cover to the protruding portion on the "O" side, push the transparent cover into the body and set the arrowhead from the protruding portion on the "O" side to the protruding portion on the "L" side to make the LOCK complete.
6. Restart operation.

Element Replacement Procedure

