

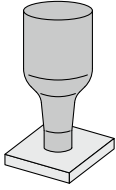
Nozzle Pad

Pad diameter $\varnothing 0.8, \varnothing 1.1$

Symbol/Form

AN: Nozzle type

■ For the adsorption of small components (such as IC chips)



How to Order



Pad unit **ZP2-08 AN N**

* Pad unit's sales unit: 10 pcs.

Pad diameter

Symbol	Pad diameter
08	$\varnothing 0.8$
11	$\varnothing 1.1$

Pad form

Symbol	Form
AN	Nozzle type

Pad material

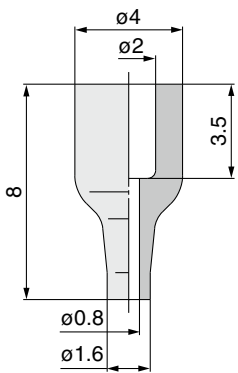
Symbol	Material
N	NBR
S	Silicone rubber*1 *2
U	Urethane rubber
F	FKM
GN	Conductive NBR
GS	Conductive silicone rubber

*1 Uses a material compliant with a dissolution test of the FDA (U.S. Food and Drug Administration) regulation 21CFR§177.2600 for "Rubber articles intended for repeated use."

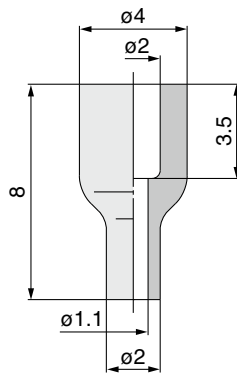
*2 Uses a material compliant with the standards for "Rubber apparatus (excluding baby drinking apparatus) and containers/packaging" (D3) (Partial revision: Japanese Ministry of Health, Labour, and Welfare Notification No. 595, 2012) in Section 3 "Apparatus and Containers/Packaging" of the Japan Food Sanitation Act, Article 18 "Specifications and Standards for Food and Food Additives, etc." (Japanese Ministry of Health and Welfare Notification No. 370, 1959)

Dimensions: Pad Unit

ZP2-08AN□

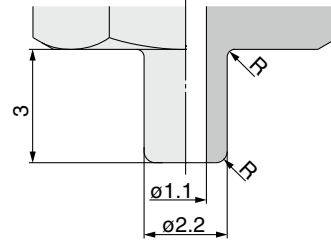


ZP2-11AN□



Adapter Mounting Dimensions

If an adapter will be made by the customer, design the adapter with the dimensions shown below.



* The R part has to be smooth with no corners.

How to Order

With adapter **ZP2-T 08 AN N - A5**

Vacuum inlet direction

Symbol	Direction
T	Vertical

Pad diameter

Symbol	Pad diameter
08	$\varnothing 0.8$
11	$\varnothing 1.1$

Pad form

Symbol	Form
AN	Nozzle type

Pad material

Symbol	Material
N	NBR
S	Silicone rubber*1 *2
U	Urethane rubber
F	FKM
GN	Conductive NBR
GS	Conductive silicone rubber

Mounting

Symbol	Thread size
A5	M5 x 0.8

*1 Uses a material compliant with a dissolution test of the FDA (U.S. Food and Drug Administration) regulation 21CFR§177.2600 for "Rubber articles intended for repeated use."

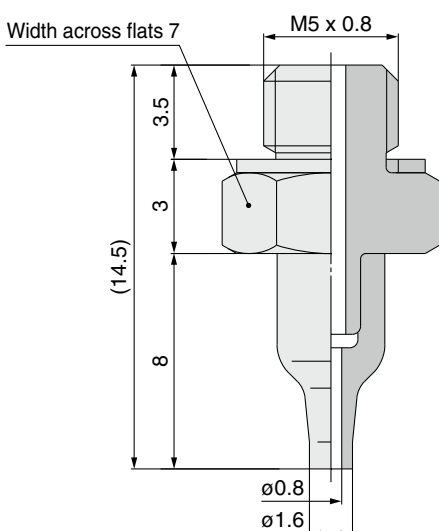
*2 Uses a material compliant with the standards for "Rubber apparatus (excluding baby drinking apparatus) and containers/packaging" (D3) (Partial revision: Japanese Ministry of Health, Labour, and Welfare Notification No. 595, 2012) in Section 3 "Apparatus and Containers/Packaging" of the Japan Food Sanitation Act, Article 18 "Specifications and Standards for Food and Food Additives, etc." (Japanese Ministry of Health and Welfare Notification No. 370, 1959)



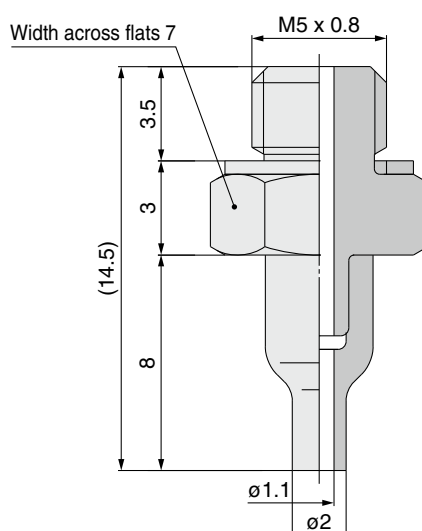
* The pad is shipped together but does not come assembled.

Dimensions: With Adapter

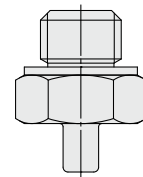
ZP2-T08AN□-A5



ZP2-T11AN□-A5



Adapter assembly unit



Part no. (With gasket):

ZP2A-Z21P

Gasket part no. (Single unit):

10 pcs. *1: ZP-5G2

100 pcs. *1: M-5G2

*1 The gasket (single unit) sales unit is shown.