

**ATEX Compliant**

# Dual Rod Cylinder/Basic Type

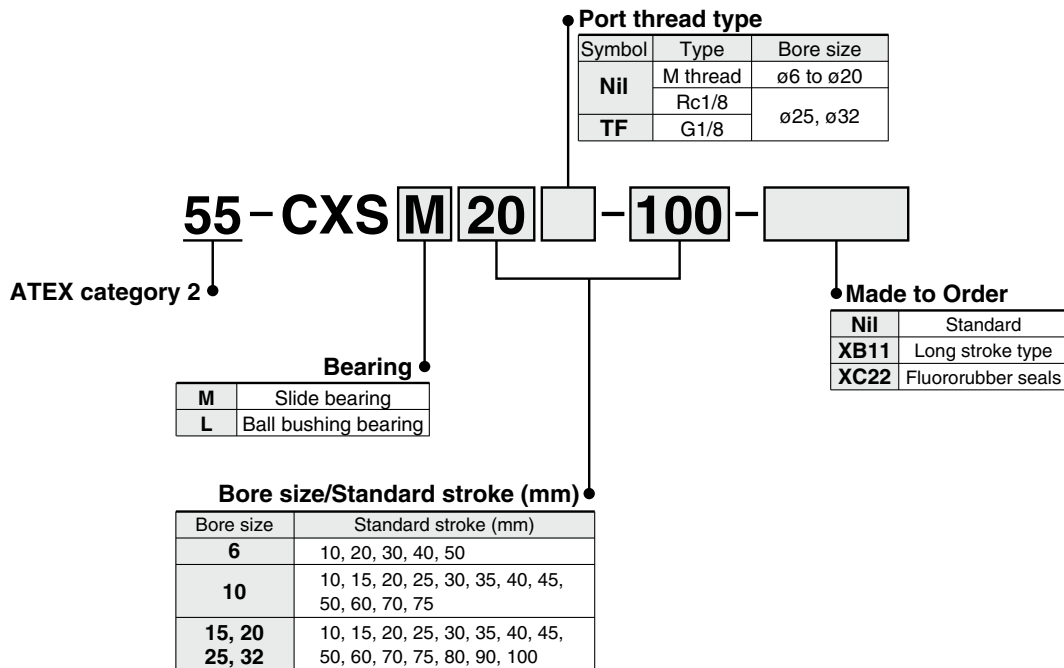
# Series 55-CXS

ø6, ø10, ø15, ø20, ø25, ø32



	II 2G Ex h IIC T6..T5 Gb
	II 2D Ex h IIIC T78°C..T98°C Db

## How to Order



All other specifications are the same as the standard products Series CXS. [Click here](#) for details.

Refer to page 69 for applicable auto switches.

**ATEX Compliant**

**Dual Rod Cylinder/Double Rod Type**

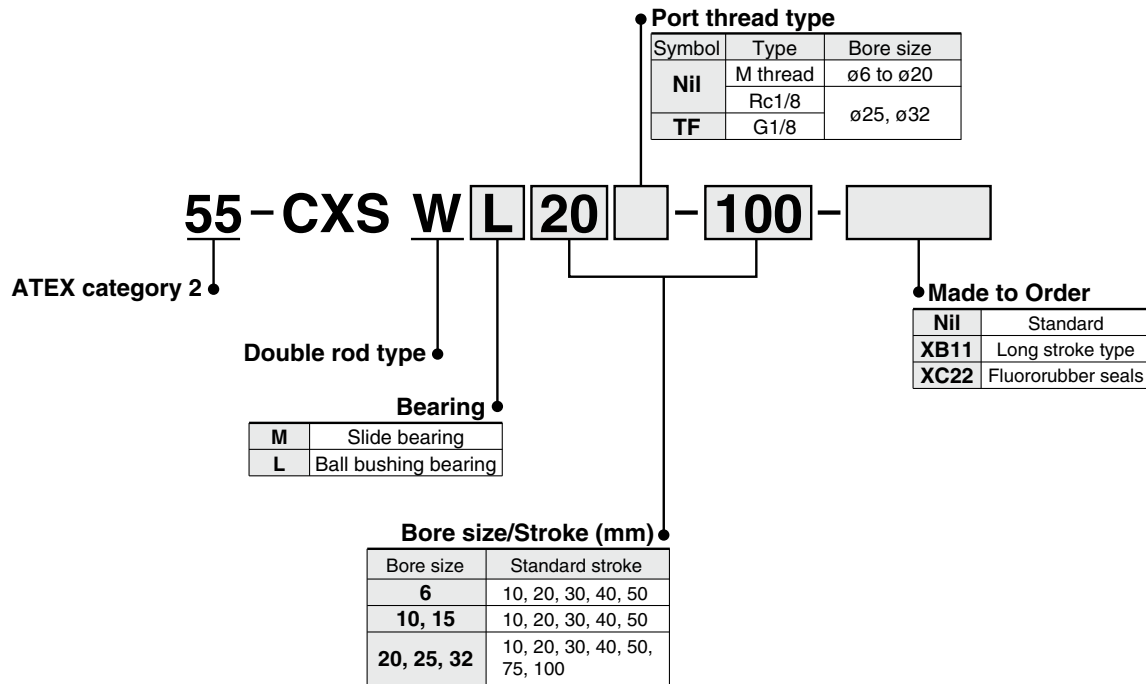
**Series 55-CXSW**

**∅6, ∅10, ∅15, ∅20, ∅25, ∅32**



	II 2G Ex h IIC T6..T5 Gb
	II 2D Ex h IIIC T78°C..T98°C Db

**How to Order**



All other specifications are the same as the standard products Series CXS. [Click here](#) for details.

Refer to page 69 for applicable auto switches.

**ATEX Compliant**

**Dual Rod Cylinder/Basic Type**

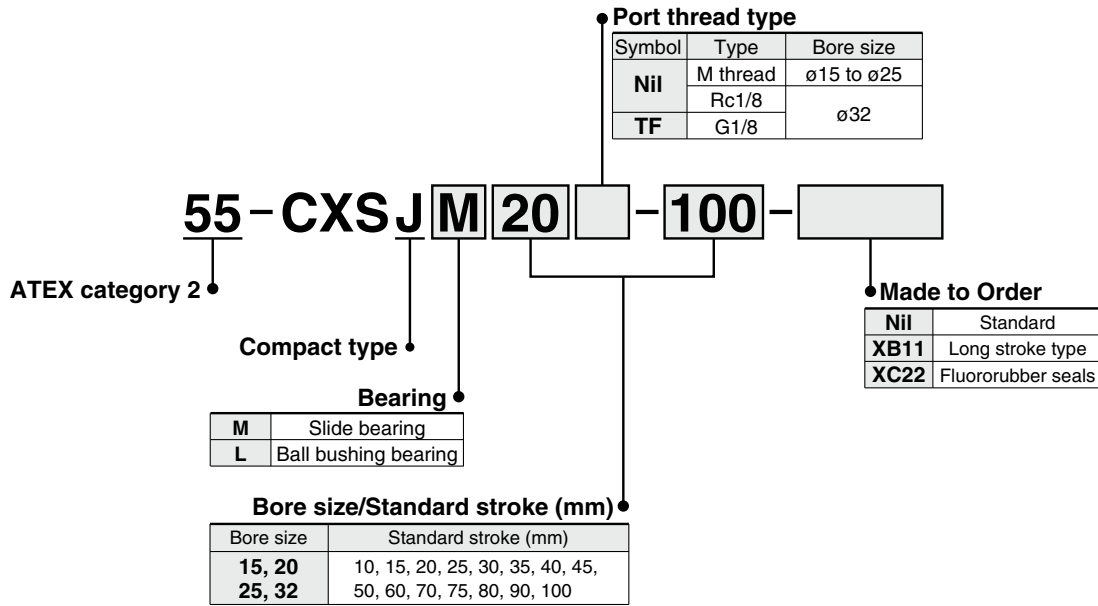
**Series 55-CXSJ**

**∅15, ∅20, ∅25, ∅32**



	II 2G Ex h IIC T6..T5 Gb
	II 2D Ex h IIIC T78°C..T98°C Db

**How to Order**



All other specifications are the same as the standard products Series CXSJ. [Click here](#) for details.

Refer to page 69 for applicable auto switches.